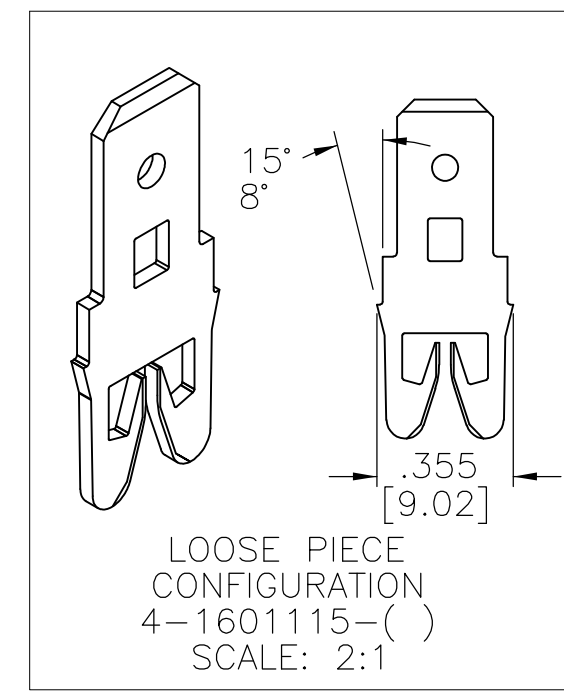
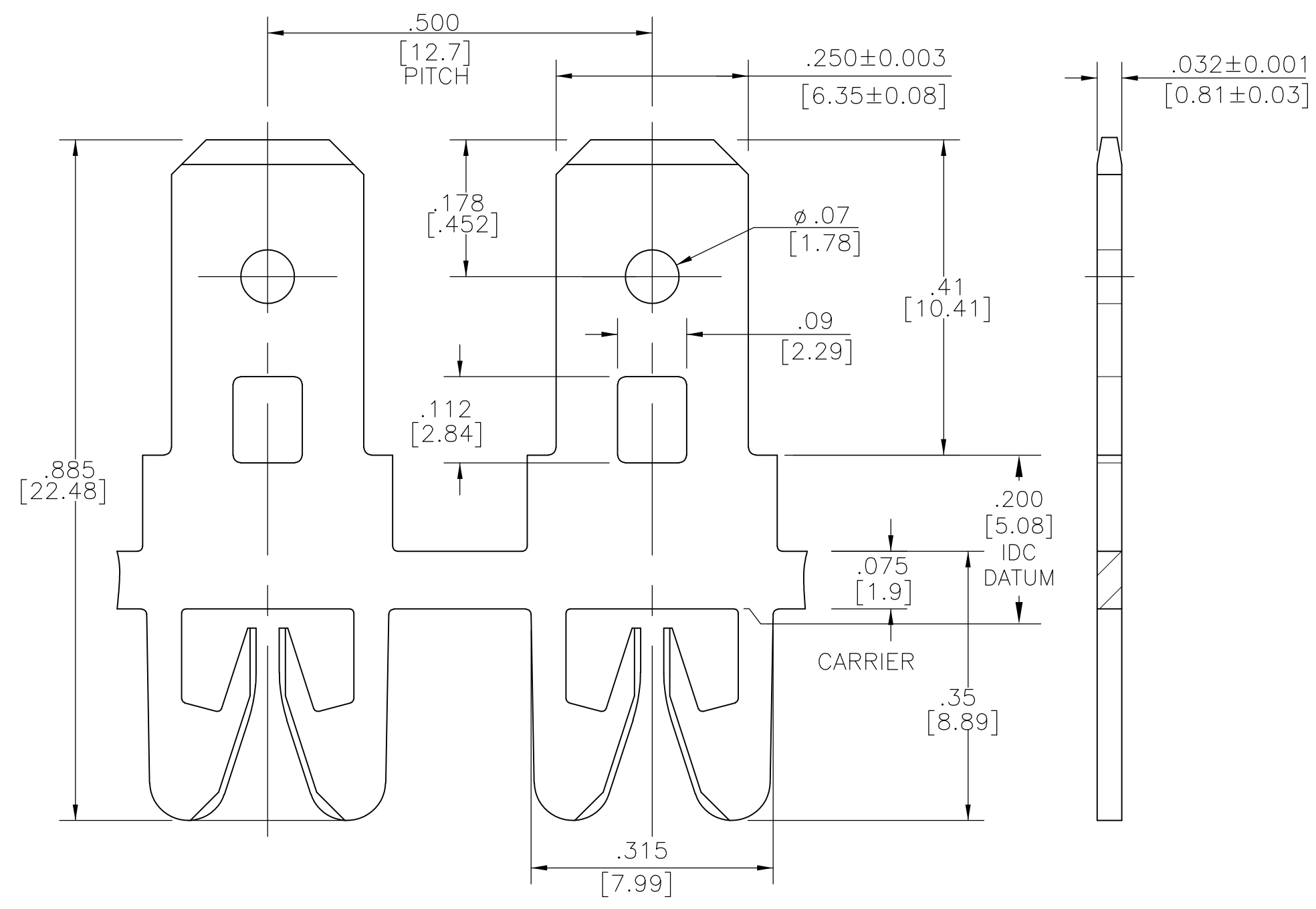
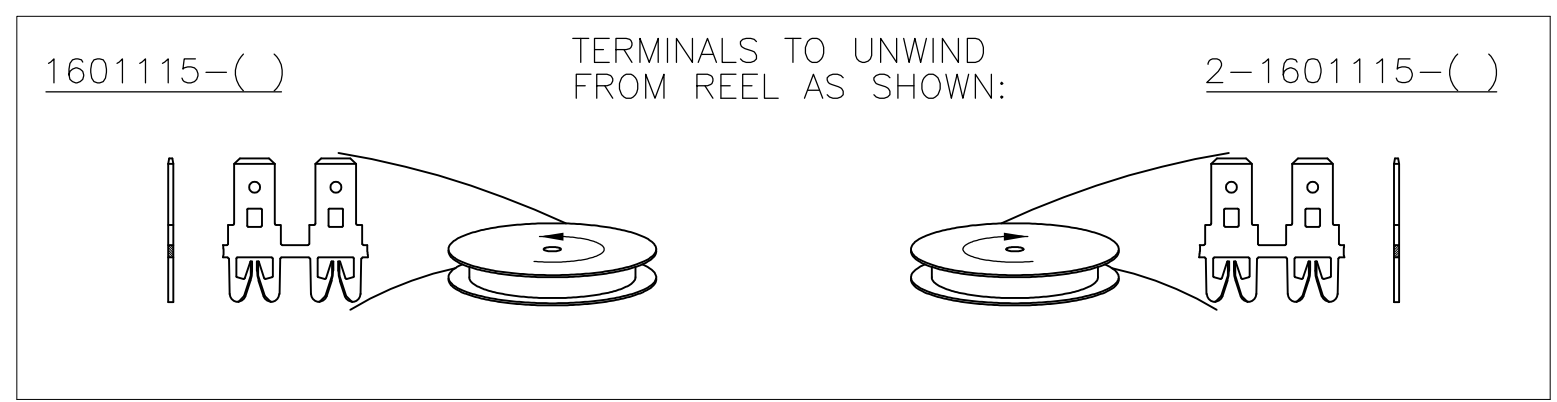


LOC	DIST	REVISIONS					
AF	50	P	LTR	DESCRIPTION	DATE	DWN	APVD
		D2		REV PER ECR-07-022971	28SEP07	JR	GJ



- SPECIFICATIONS:  
MAGNET WIRE #12 - #20 AWG,  
2.03mm (.080") - 0.81mm (.032") DIA COPPER.  
OTHER SIZES MAY BE ACCOMMODATED,  
CONSULT TYCO ELECTRONICS FOR APPROVAL.
- POCKET RECOMMENDATION : #1601435
- △ TERMINAL APPLICATION TO COMPLY  
WITH TYCO ELECTRONICS SPEC 114-13210, FIG 6
- DIMENSIONS SHOWN DO NOT INCLUDE PLATING.
- △ PRELIMINARY - NOT FOR PRODUCTION.



-	-	-
-	-	-
POST TIN PLATE OVER COPPER UNDERPLATE	-	△ 4-1601115-2
UNPLATED	032-009-000	4-1601115-1
POST TIN PLATE OVER COPPER UNDERPLATE	132-009-001	1601115-2
UNPLATED	132-009-000	1601115-1
FINISH	REFERENCE PART NUMBER	PART NUMBER

THIS DRAWING IS A CONTROLLED DOCUMENT.		DWN MS.FEHER 11JAN2002	Tyco Electronics Corporation Harrisburg, PA 17105-3608	
DIMENSIONS: mm [INCHES]		CHK M.FEHER 11JAN2002	NAME K.RANDOLPH	
TOLERANCES UNLESS OTHERWISE SPECIFIED:		APVD K.RANDOLPH 11JAN2002	PRODUCT SPEC 108-2316	
0 PLC ± -	1 PLC ± -	APPLICATION SPEC	SIZE CAGE CODE DRAWING NO RESTRICTED TO	
2 PLC ± .01[0.25]	3 PLC ± .005[0.13]	4 PLC ± ± 2'	A2 00779 C-1601115	
MATERIAL BRASS, SPRING HARD	FINISH SEE TABLE	WEIGHT -	CUSTOMER DRAWING SCALE 1:4 SHEET 1 OF 1 REV D2	